



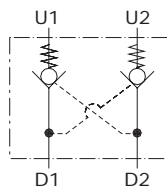
Type VBPD/L/T pilot operated check valves

- Double acting

Technical specifications and diagrams are measured with mineral oil of 46 cSt viscosity at 40°C (104°F) temperature.

| | VBPD/L/T 38 | VBPD/L/T 12 | VBPD/L/T 34 | |
|--|--|------------------------|-------------------------|--------------------|
| Nominal flow | 25 l/min (6.6 US gpm) | 50 l/min (13.2 US gpm) | 100 l/min (26.4 US gpm) | |
| Max. pressure | Aluminium body = 210 bar (3050 psi) Steel body = 350 bar (5100 psi) | | | |
| Oil leakage | 0.25 cm ³ /min (0.015 in ³ /min) at 210 bar (3050 psi) | | | |
| Fluid | mineral based oil | | | |
| Viscosity | from 10 to 200 cSt | | | |
| Max. level of contamination | 18/16/13 ISO4406 | | | |
| Fluid temperature | with NBR seals from -20°C (-4°F) to 80°C (176°F) | | | |
| Environmental temp. for working conditions | from -40°C (-40°F) to 100°C (212°F) | | | |
| Weight | aluminium | 0.63 kg (1.39 lb) | 1.19 kg (2.62 lb) | 2.46 kg (5.42 lb) |
| | steel | 1.69 kg (3.73 lb) | 2.13 kg (4.70 lb) | 5.36 kg (11.81 lb) |

NOTE - For different conditions, please contact Walvoil Sales Dpt.



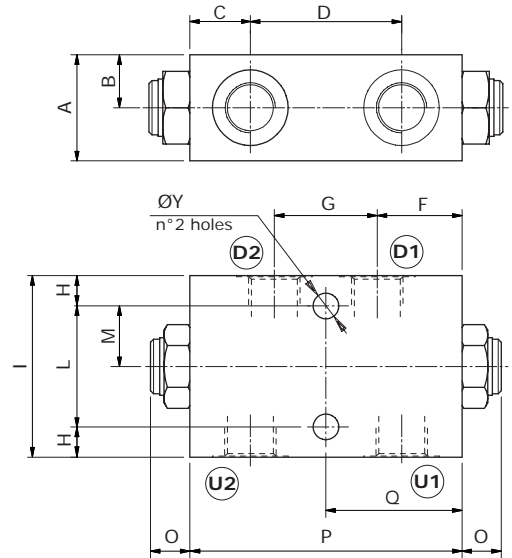
Dimensions

| Valve type | All ports | Valve type | All ports |
|------------|-----------|----------------|-----------|
| VBPDL/T 38 | G3/8 | VBPDL/T 38/SAE | SAE8 |
| VBPDL/T 12 | G1/2 | VBPDL/T 12/SAE | SAE10 |
| VBPDL/T 34 | G3/4 | VBPDL/T 34/SAE | SAE12 |

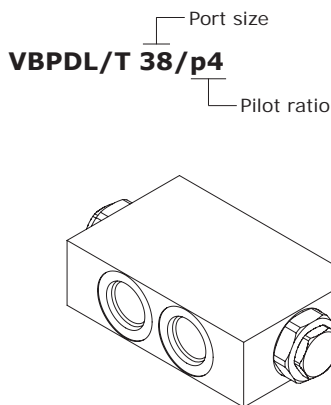
Dimensions are in mm-in

| Valve type | A | B | C | D | F | G | ØY |
|----------------|---------|-----------|---------|----------|-----------|---------|----------|
| VBPDL/T 38 | 35-5.39 | 17.5-5.39 | 20-0.79 | 50-1.97 | 28-1.10 | 34-1.34 | 8.5-0.33 |
| VBPDL/T 38/SAE | 35-5.39 | 17.5-5.39 | 21-0.83 | 68-2.68 | 38-1.50 | 34-1.34 | 8.5-0.33 |
| VBPDL/T 34 | 50-1.97 | 25-0.98 | 30-1.18 | 105-4.13 | 57.5-2.26 | 50-1.97 | 8.5-0.33 |
| VBPDL/T 34/SAE | 50-1.97 | 25-0.98 | 30-1.18 | 105-4.13 | 57.5-2.26 | 50-1.97 | 8.5-0.33 |

| Valve type | H | I | L | M | O | P | Q |
|----------------|---------|---------|---------|---------|-----------|----------|-----------|
| VBPDL/T 38 | 10-0.39 | 60-2.36 | 40-1.57 | 20-0.79 | 14.5-0.57 | 90-3.54 | 45-1.77 |
| VBPDL/T 38/SAE | 10-0.39 | 60-2.36 | 40-1.57 | 20-0.79 | 14.5-0.57 | 90-3.54 | 45-1.77 |
| VBPDL/T 12 | 15-0.59 | 70-2.36 | 40-1.57 | 20-0.79 | 13-0.39 | 110-4.3 | 55-2.16 |
| VBPDL/T 12/SAE | 15-0.59 | 70-2.36 | 40-1.57 | 20-0.79 | 13-0.39 | 110-4.3 | 55-2.16 |
| VBPDL/T 34 | 15-0.59 | 90-3.54 | 60-1.97 | 30-1.18 | 16.5-0.65 | 165-6.50 | 82.5-3.25 |
| VBPDL/T 34/SAE | 15-0.59 | 90-3.54 | 60-1.97 | 30-1.18 | 16.5-0.65 | 165-6.50 | 82.5-3.25 |



Ordering codes and description composition



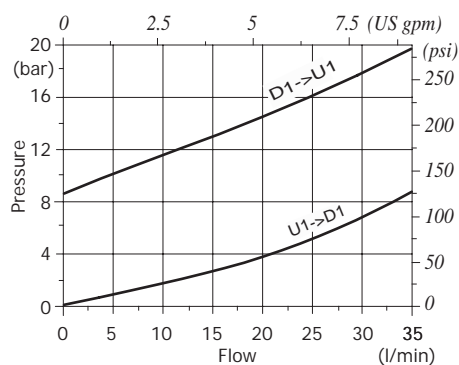
VBPDL/T complete valves

| TYPE | CODE | DESCRIPTION |
|-----------------------------|------------|--|
| VBPDL/T 38/p4 | 1422021100 | Aluminium body, pilot ratio 1:4, G3/8 ports |
| VBPDL/T 38/p4/ac | 1422022100 | Steel body, as previous one |
| VBPDL/T 12/p4 | 1422031100 | Aluminium body, pilot ratio 1:4, G1/2 ports |
| VBPDL/T 12/p4/ac | 1422032100 | Steel body, as previous one |
| VBPDL/T 34/p4 | 1422041100 | Aluminium body, pilot ratio 1:4, G3/4 ports |
| VBPDL/T 34/p4/ac | 1422042100 | Steel body, as previous one |
| VBPDL/T 38/p4/SAE | 1422021200 | Aluminium body, pilot ratio 1:4, SAE8 ports |
| VBPDL/T 38/p4/ac/SAE | 1422022200 | Steel body, as previous one |
| VBPDL/T 12/p4/SAE | 1422031200 | Aluminium body, pilot ratio 1:4, SAE10 ports |
| VBPDL/T 34/p4/SAE | 1422041200 | Aluminium body, pilot ratio 1:4, SAE12 ports |

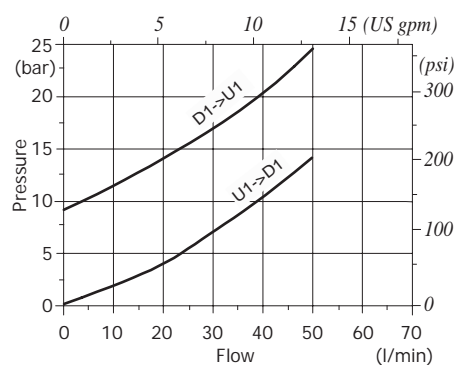
For other steel body configurations, other port sizes and configurations with FPM (Viton) seals please contact our Sales Dept.

Rating diagram

VBPDL/T 38 pressure drop vs. flow



VBPDL/T 12 pressure drop vs. flow



VBPDL/T 34 pressure drop vs. flow

